

PRODUCT INFORMATION PACKET

Model No: 5KC42GN0309X

Catalog No: C289

1/2 HP General Purpose Motor, 1 phase, 1800 RPM, 115/230 V, 56 Frame, TEFC
Single Phase TEFC Motors



Regal and Marathon are trademarks of Regal Beloit Corporation or one of its affiliated companies.
©2020 Regal Beloit Corporation, All Rights Reserved. MC017097E

REGAL



Nameplate Specifications

| | | | |
|------------------------|-------------------|----------------------------|------------------------------------|
| Output HP | 0.50 Hp | Output KW | 0.37 kW |
| Frequency | 60 Hz | Voltage | 115/230 V |
| Current | 8.6,4.3 A | Speed | 1725 rpm |
| Service Factor | 1.15 | Phase | 1 |
| Efficiency | 64.9 % | Power Factor | 0 |
| Duty | Continuous | Insulation Class | B |
| Design Code | - | KVA Code | M |
| Frame | 56 | Enclosure | Totally Enclosed Fan Cooled |
| Thermal Protection | AUTO | Ambient Temperature | 40 °C |
| Drive End Bearing Size | 6203 | Opp Drive End Bearing Size | 6203 |
| UL | Recognized | CSA | Yes |
| CE | N | | |

Technical Specifications

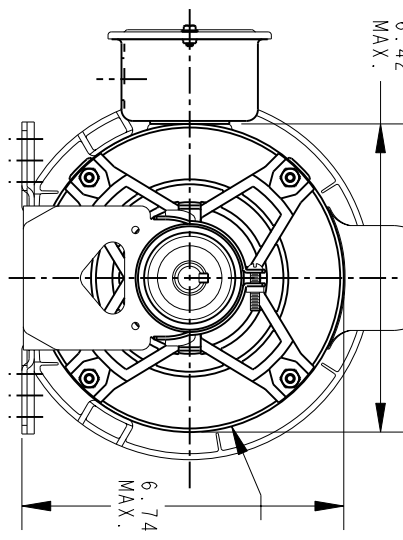
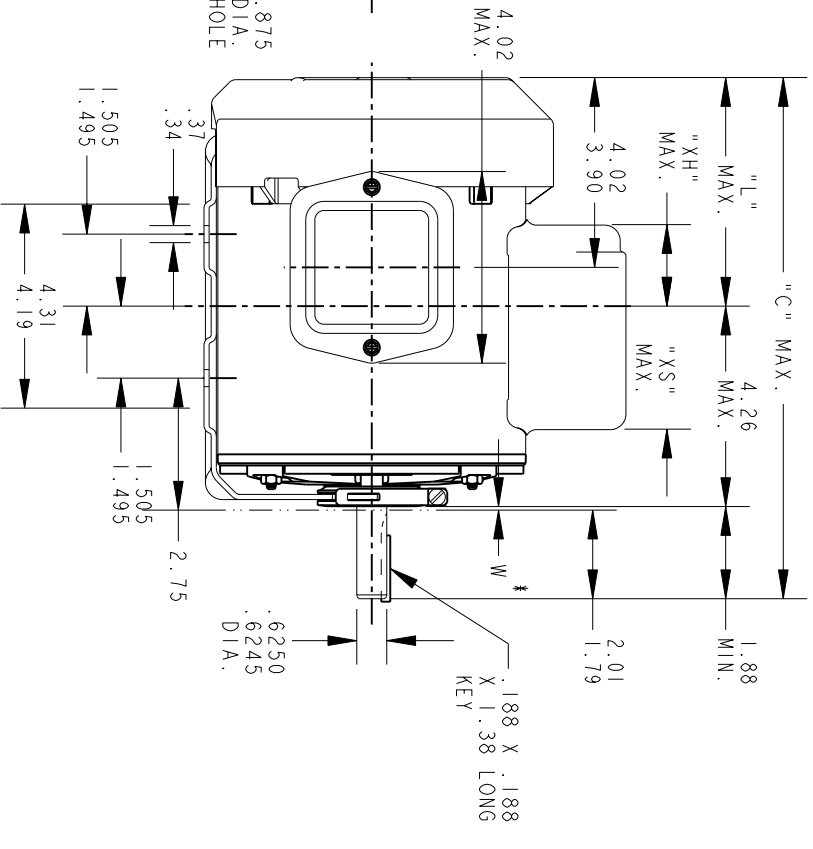
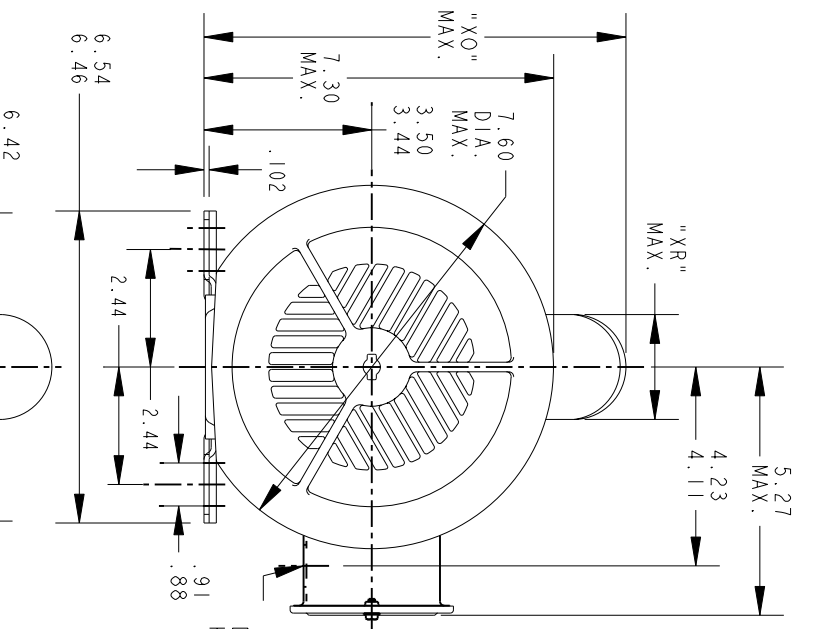
| | | | |
|--------------------|--------------------------------------|-----------------------|-----------------------------------|
| Electrical Type | Capacitor Start Induction Run | Starting Method | SM |
| Poles | 4 | Rotation | Counterclockwise/Clockwise |
| Mounting | Resilient Base | Motor Orientation | ANY |
| Drive End Bearing | BALL | Opp Drive End Bearing | Ball |
| Frame Material | Rolled Steel | Overall Length | 11 in |
| Frame Length | 5.72 in | Shaft Diameter | 0.630 in |
| Shaft Extension | 1.88 in | | |
| Connection Drawing | 52A105383BA | Outline Drawing | 52A107624P1 |

This is an uncontrolled document once printed or downloaded and is subject to change without notice. Date Created:03/11/2020

THIRD ANGLE PROJECTION



| REVISIONS | | DESCRIPTION | DATE | APPROVED |
|-----------|---------------------------------|-------------|----------|-----------|
| REV. 10 | UPDATED DIMENSIONS FOR PART #3. | | 05/16/94 | M.D. PAPE |
| REV. 11 | CHG TO RBC FORMAT PER IS05-1777 | | 02/28/06 | SUDHA |



VIEW OF P.E. END SHIELD
 * W IS A VARIABLE CLEARANCE DUE TO VARIATIONS IN PARTS AND ASSEMBLY

| P | TYPE | GE SIZE | NEMA FR. | "C" | "L" | "XH" | "XO" | "XR" | "XS" | MIN. SHELL |
|---|------|---------|----------|-------|------|------|------|------|------|------------|
| 4 | KC | 49 | 56 | 12.54 | 6.28 | 3.52 | 8.60 | 2.40 | 2.22 | 7.15 |
| 3 | KC | 49 | 56 | 13.07 | 6.81 | 3.58 | 8.95 | 2.40 | 2.23 | 7.68 |
| 2 | KC | 46 | 56 | 11.83 | 5.68 | 2.44 | 8.84 | 2.22 | 2.10 | 6.55 |
| 1 | KC | 42 | 56 | 11.00 | 4.85 | 2.08 | 8.84 | 2.22 | 2.46 | 5.72 |

ALL DIMENSIONS ARE IN INCHES

| SIGNATURES | | DATE |
|-------------------------------|--------------|--------------------|
| MODEL | M.D. PAPE | 09/26/90 |
| DETAIL | | |
| CHECKED | | |
| ENGRG | | |
| FOR ADDITIONAL INFO REFER TO: | MFG | |
| APPLIED PRACTICES | QUALITY | |
| DIMENSIONS ARE IN INCHES | ISSUED | M.D. PAPE 05/06/94 |
| MATERIAL | SOLID MODEL: | 52A107624 |



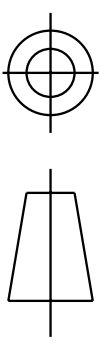
REGAL-BELOTT CORPORATION

TITLE
OUTLINE

GENERAL PURPOSE MOTOR TEFC - BALL BEARING - RESILIENT BASE FMF - 40 FRAME REDESIGN (SKC42GN005X)

SIZE: DRAWING A
 SCALE: 0.250 REF. No.:
52A107624

REV 11
 SHEET 1 of 1

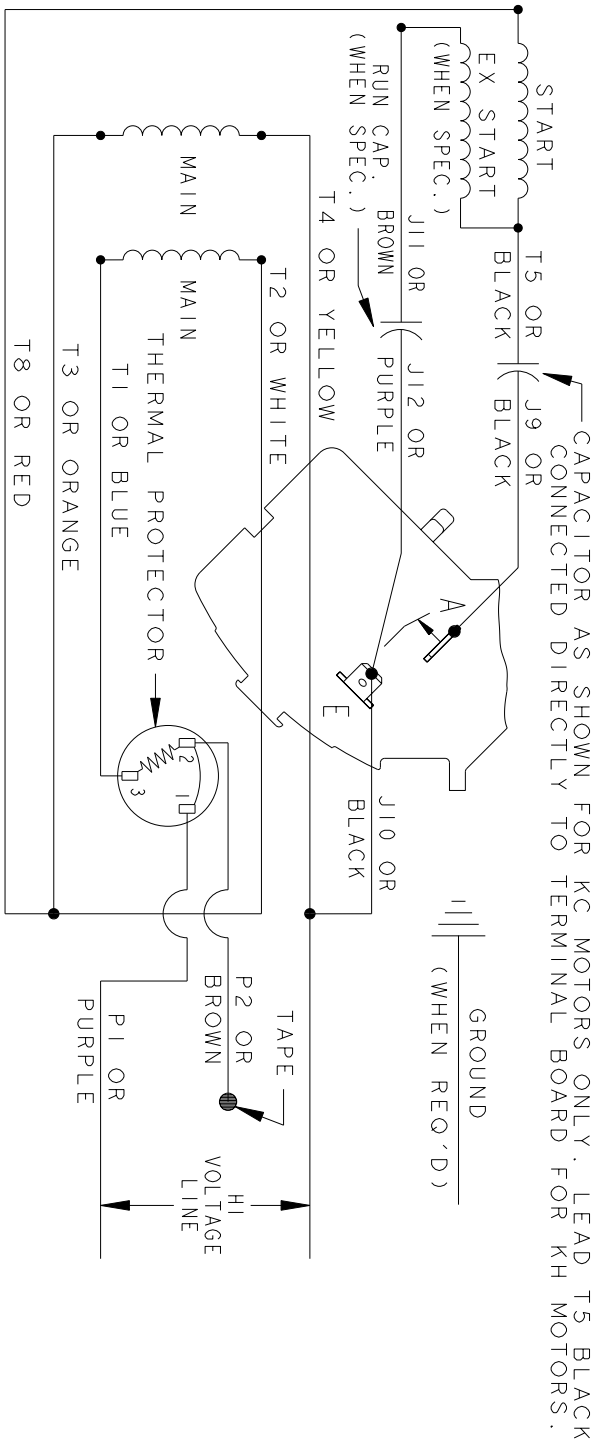
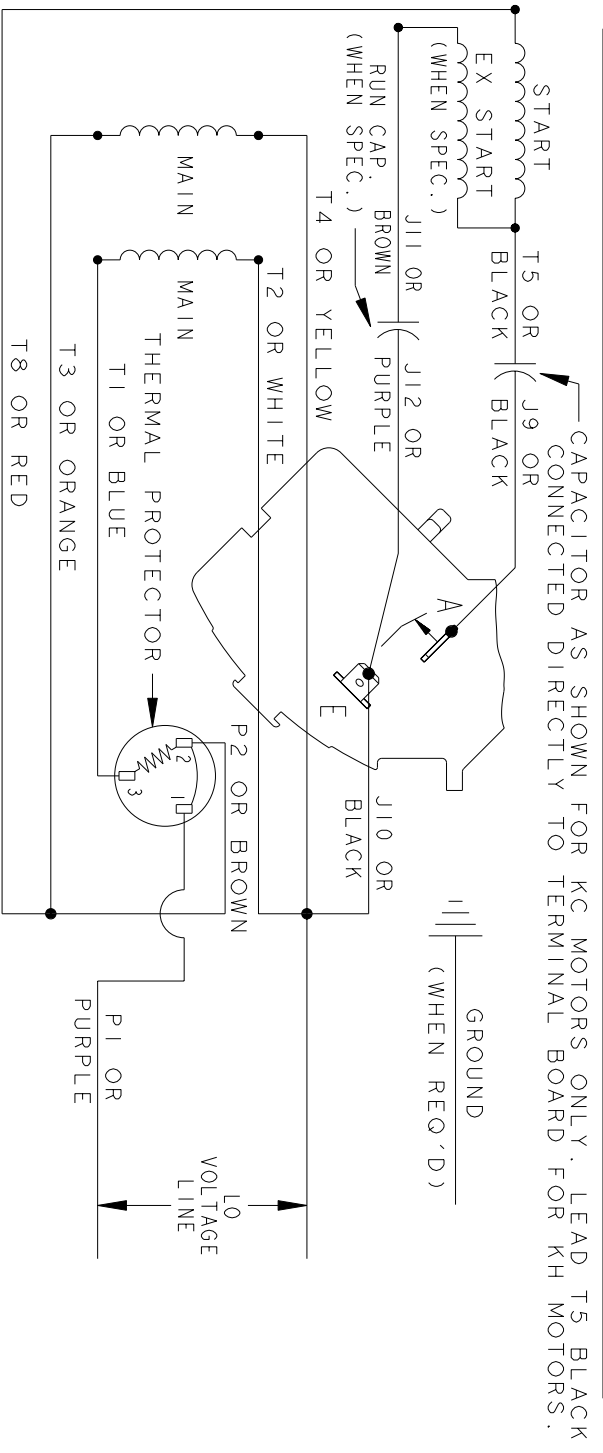


THIRD ANGLE PROJECTION

REVISIONS

| REV. | DESCRIPTION | DATE | APPROVED |
|------|----------------|----------|----------|
| 7 | UPDATED FORMAT | 01/05/06 | MAM |

CCW/CW ROTATION - DUAL VOLTAGE
 TYPE KC, KH OR KCR - WITH THERMAL PROTECTOR



NOTE#1 - TO REVERSE ROTATION, INTERCHANGE T8 RED AND J10 BLACK LEADS.
 NOTE#2 - WHEN MORE THAN ONE CAPACITOR IS USED, CONNECT IN PARALLEL.
 NOTE#3 - 115D958ABP5 - HIGH CURRENT CONTACTS.

SWITCH (C) - 115D958ABP5, SWITCH (H) - 115D958AA (USE 115D958DA FOR EP)

REF. DIAG. - 113A327, 119A9352 & 52A102102 CONNECTION LABEL - 52X332912

| | | | | |
|--------------------------|--------------------------|----------|-------------------------------|-----------|
| SIGNATURES | | DATE | TITLE | |
| MODEL | M.D.P. | 06/29/87 | REGAL-BELOIT CORPORATION | |
| DETAIL | | | CONNECTION DIAGRAM | |
| CHECKED | | | FME: 30 FRAME SWITCH REDESIGN | |
| ENGRG | | | 52A105383BA | |
| MFG | | | SCALE: 1.000 | REF. No.: |
| QUALITY | | | | |
| ISSUED | M.D.P. | 12/11/97 | | |
| APPLIED PRACTICES | | | | |
| DIMENSIONS ARE IN INCHES | | | | |
| MATERIAL | SOLID MODEL: 52A105383BA | | | |